



SERVICE BULLETIN

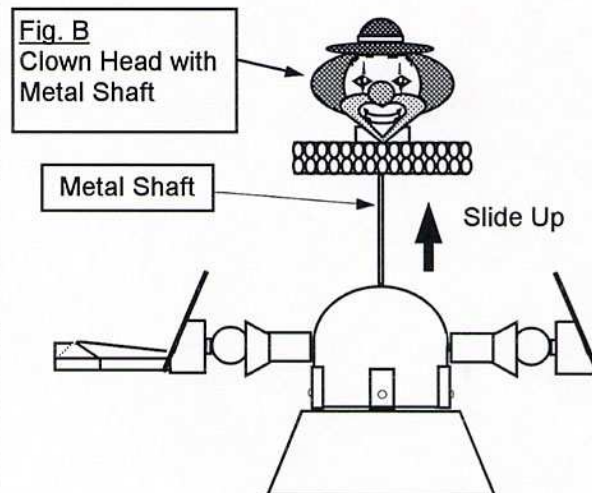
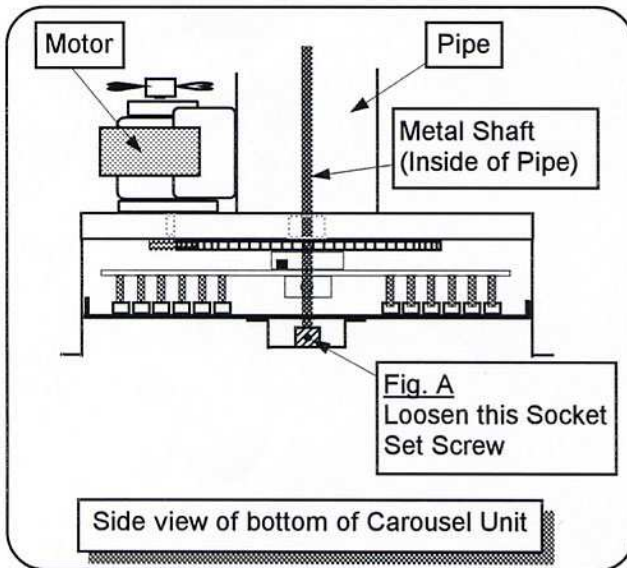
DATE: 96/02/28

GAME NAME: " COIN CIRCUS "

SUBJECT: How to Open the "Clown Body".

Tools need : Socket Wrench sets, Phillips Screwdriver, Pliers

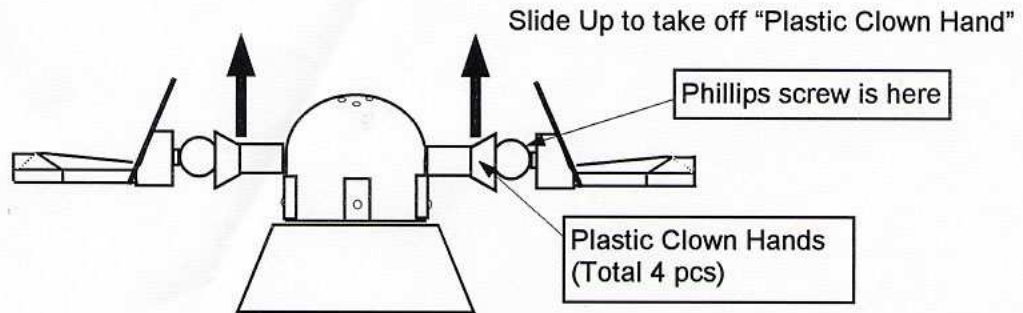
-
- 1) Remove Top Glass. (Refer to Original Operating Manual page 7.)
Open the Back Door of game. Look at bottom of Carousel Unit.
Loosen one socket set screw which is mounted at the very bottom of Carousel Unit. (See Fig. A)
Remove "Clown Head" with Metal Shaft. (See Fig. B)



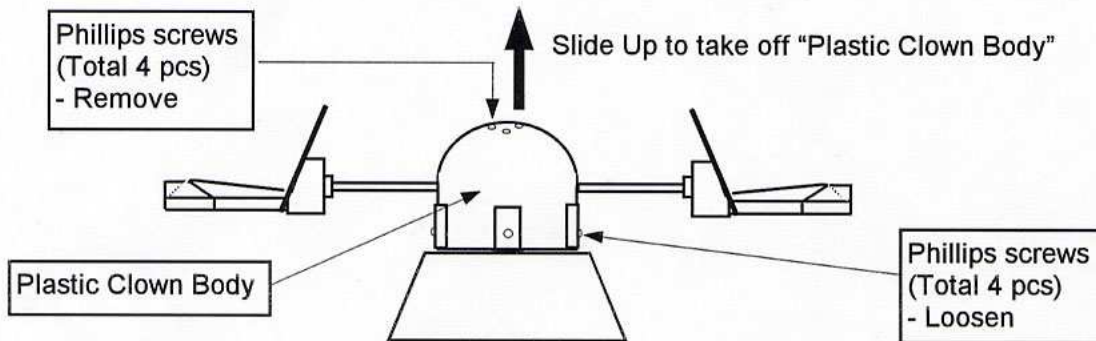
AMERICAN SAMMY CORPORATION
901 CAMBRIDGE DRIVE ELK GROVE VILLAGE, IL 60007
PHONE #847-364-9787 FAX #847-364-9831



- 2) Remove Phillips screws to take off All 4 pcs of "Plastic Clown Hands."



- 3) Remove 4 Phillips of screws on top and loosen 4 pcs of bottom to take off "Plastic Clown



END